

TOMCAT[®]

Handmade in U.S.A. - Est 1986

Premium Rider Scrubbers **v2 Series**

PRO

CRZ

EX

HD



Family-Owned & Operated



Scrubbers

Sweepers

Choose Your Chassis

PRO Specs

- Up to 140,000 sqft/Charge
- 22 / 23 Gallons
- 25 - 29 inch decks



Applications

- Education
- Healthcare
- Hospitality

CRZ Specs

- Up to 250,000 sqft/Charge
- 33 / 36 Gallons
- 25 - 34 inch decks



Applications

- Retail
- Grocery
- Distribution

EX Specs

- Up to 255,000 sqft/Charge
- 46 / 49 Gallons
- 29 - 37 inch decks



Applications

- Warehouses
- Sports Arenas
- Aviation

HD Specs

- Up to 315,000 sqft/Charge
- 65 / 75 Gallons
- 36 - 46 inch decks



Applications

- Warehouses
- Sports Arenas
- Aviation

Choose Your Deck



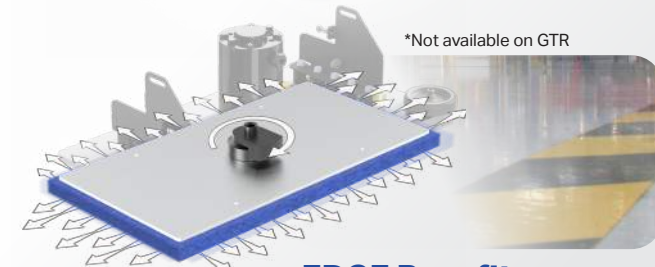
Cylindrical Benefits

- Eliminates Pre-Sweeping
- Scrub & Sweep Simultaneously
- Superior Tile & Grout Cleaning
- Great for Indoor Track Fields



Disk Benefits

- Largest Brush/ Pad Selection
- Lowest Maintenance Cost
- Best Performance on Irregular Floors
- Brushes Individually driven



*Not available on GTR

EDGE Benefits

- Chemical Free Stripping
- Reduce Slip & Fall Potential
- 70% Reduction in Water Usage
- VCT Prep & Recoat

Choose Your Controller

Military Grade (Year 1970 Technology)



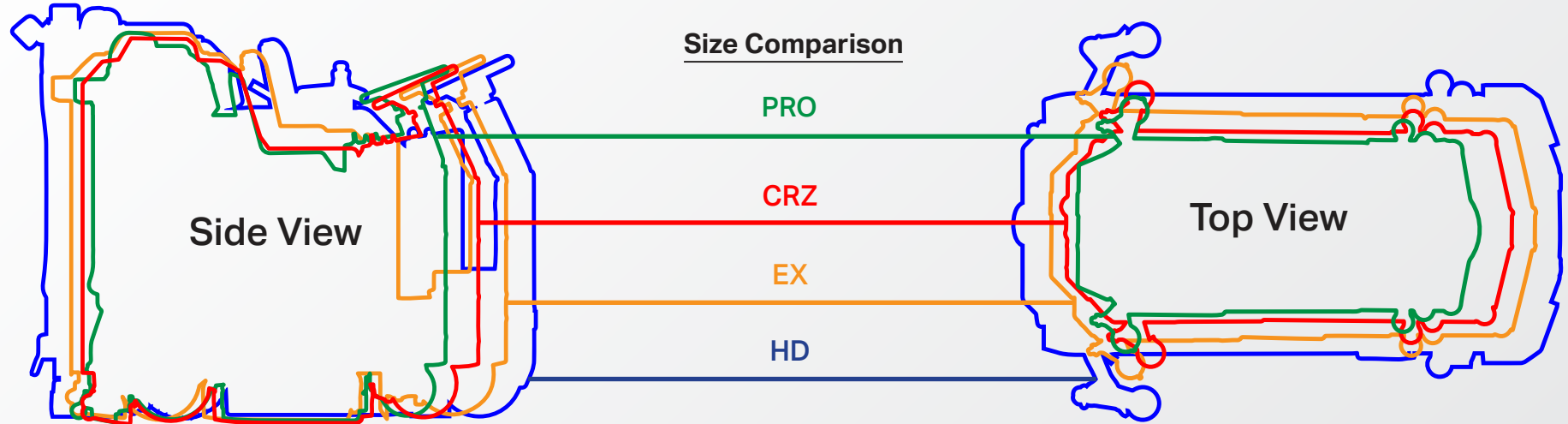
Legacy (Year 2000 Technology)



Touch Screen (Year 2010 Technology)

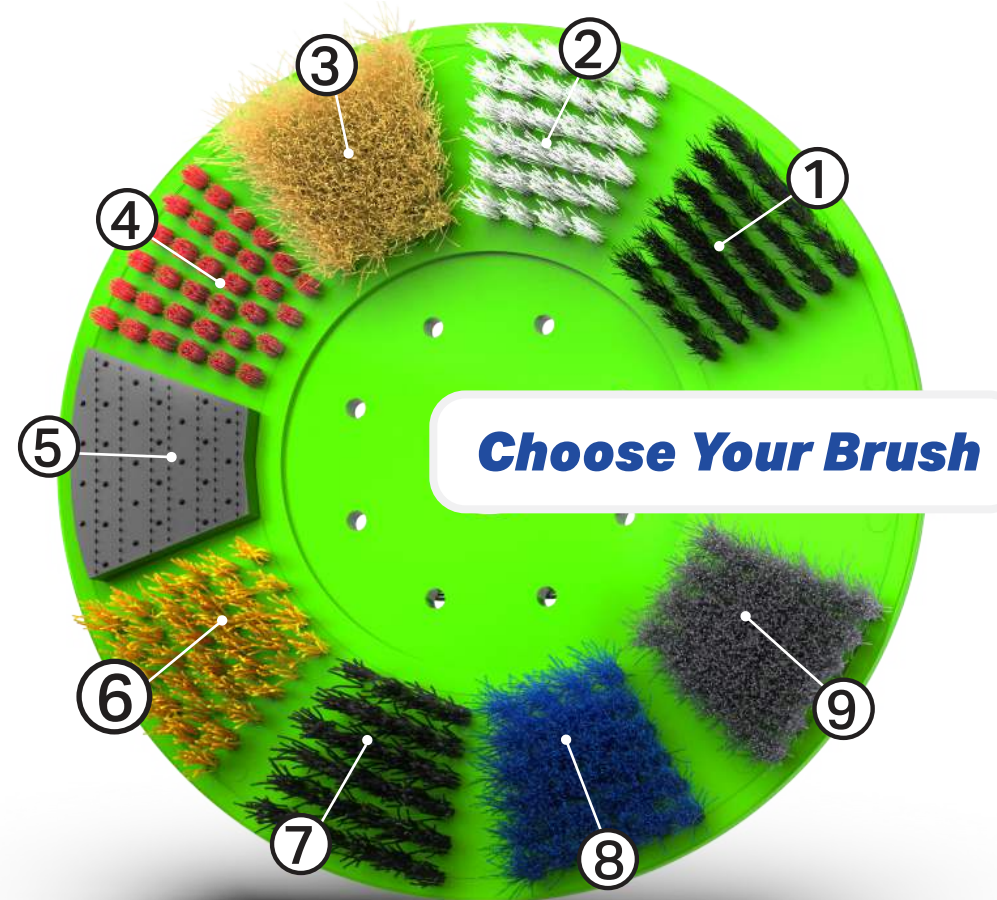


Choose Your Chassis

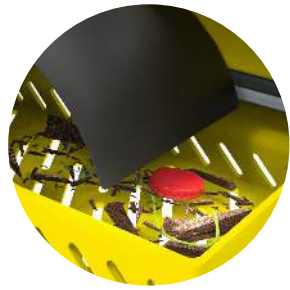


- ①* Polypropylene: Black / Medium - Light
- ② Nylon: White / Light - Soft
- ③ Tampico: Tan / Soft
- ④* Tufted Pad Driver: Red / Variety Pads
- ⑤* Neoprene Pad Driver: Black / Variety Diamond Pucks
- ⑥* Super Grit: Orange / Extreme Rough
- ⑦ Tough Grit: Black / Very Rough
- ⑧ Midi Grit: Blue / Rough
- ⑨ Light Grit: Grey / Medium

*Not offered on Cylindrical Brushes



View Inside



See Through Lid

White Vac Filter

Stainless Vac Screen

Adjustable Steering Wheel

6' Remote Solution Fill Hose

Poly Battery Box With Drain

Steel Operator Protection

Tall Poly Rollers

Optional HD Side Doors

Patented Service Cabinet

Drain Saver Basket

Foam

Dirty Recovery

Patented Vac Protection

Steel Frame

Clean Solution

Flip up Bumper

Stainless Break Away Squeegee

Brake Lights

Non-Marking Solid Grey Tires

Choose Your Options



Green Antimicrobial Tanks

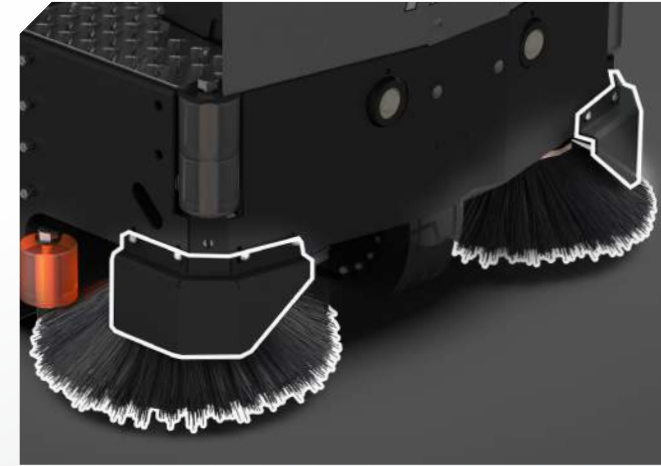
Special plastic formula inhibits growth of bacteria and other harmful contaminants inside tanks. The vac motor on all scrubbers suck air through the recovery tank and therefore will dispense odors or contaminants back into the air everyone inhales inside the building.

- Almost 6,000 cubic feet/hour of airflow (size average classroom).



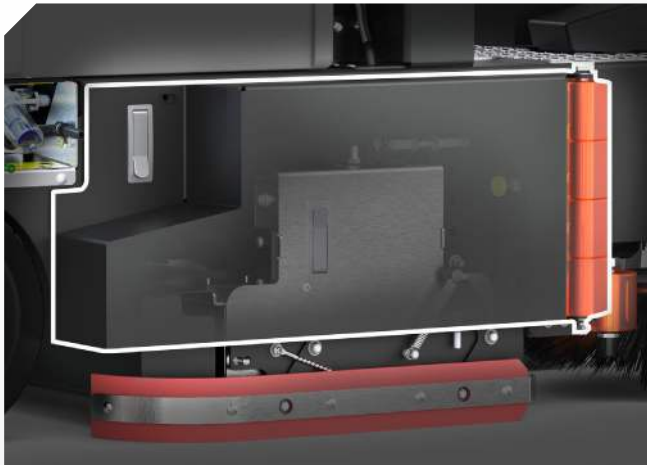
Scrub And Vac Wand / Spray Jet

- Brush side for floor scrubbing
- Squeegee side for water pickup
- Clean restrooms and under tables
- Pre-soak the floor before scrubbing
- Rinse out the Recovery Tank



Dual Side Brooms And Guards

Extends the cleaning path up to walls and racking pallets. Moving small debris to center of path reduces squeegee streaking and hose clogs.



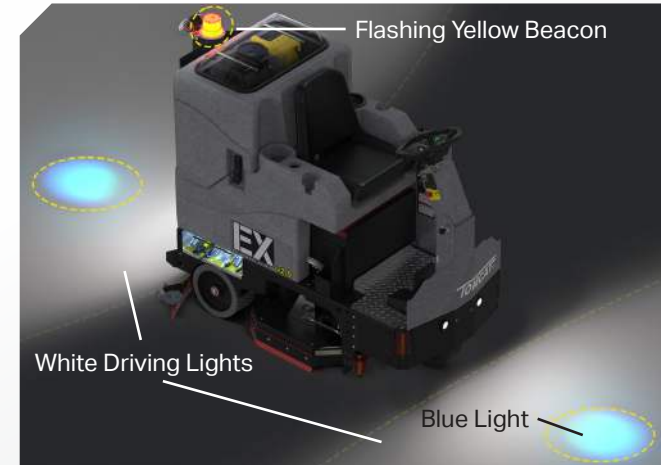
Heavy Duty Side Doors

Thick Steel with leading rollers offers protection of critical scrub deck, reducing equipment damage and down time for repairs.



Overhead Guard / Black Tires

- Protects operator from falling objects*
**Not available on all riders*
- Optional Black Tires for harsh applications



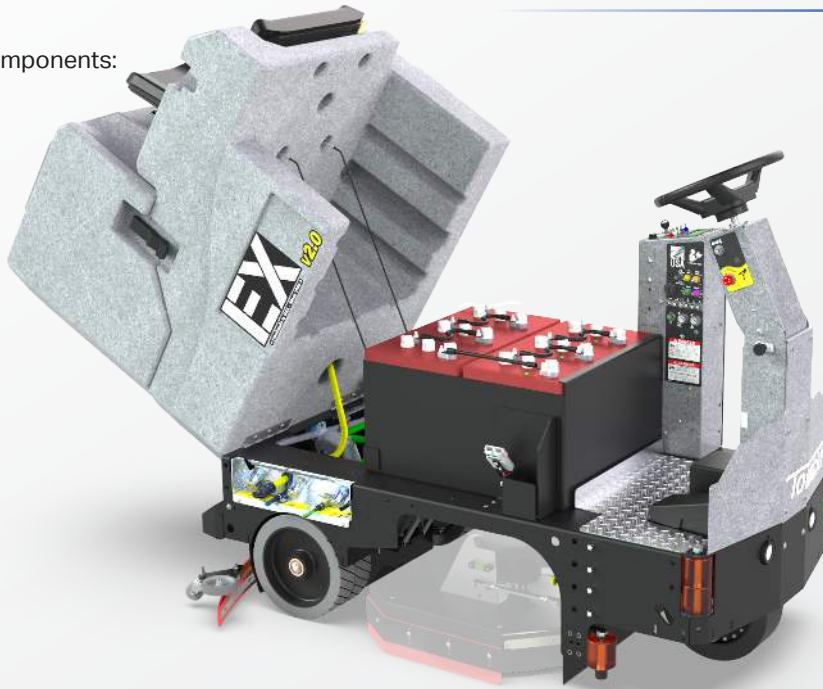
Lights

- Traditional white flood lights ahead and behind increase visibility for the operator and oncoming traffic
- Blue spotlight warns oncoming traffic and pedestrians in congested and noisy applications.
- Flashing Yellow Beacon

You Be The Judge

Easy Access to key components:

- Vac Motor
- Batteries
- Deck Actuator
- Solution Valve
- Filters-Screens
- Soap Drain
- Battery Box Drain
- Unloader Valve
- Vac Switch
- Pumps



Tip Back Tank

Our designers and engineers have 25+ years of experience and recognize cleaning equipment will eventually require service.

- Tanks tip back without tools, providing easy top side access to all important service items.
- Quick access allows the technician to trouble shoot from their feet and make repairs in less time, with less chance of creating unintended problems from disassembling multiple items to get to the single part that failed.

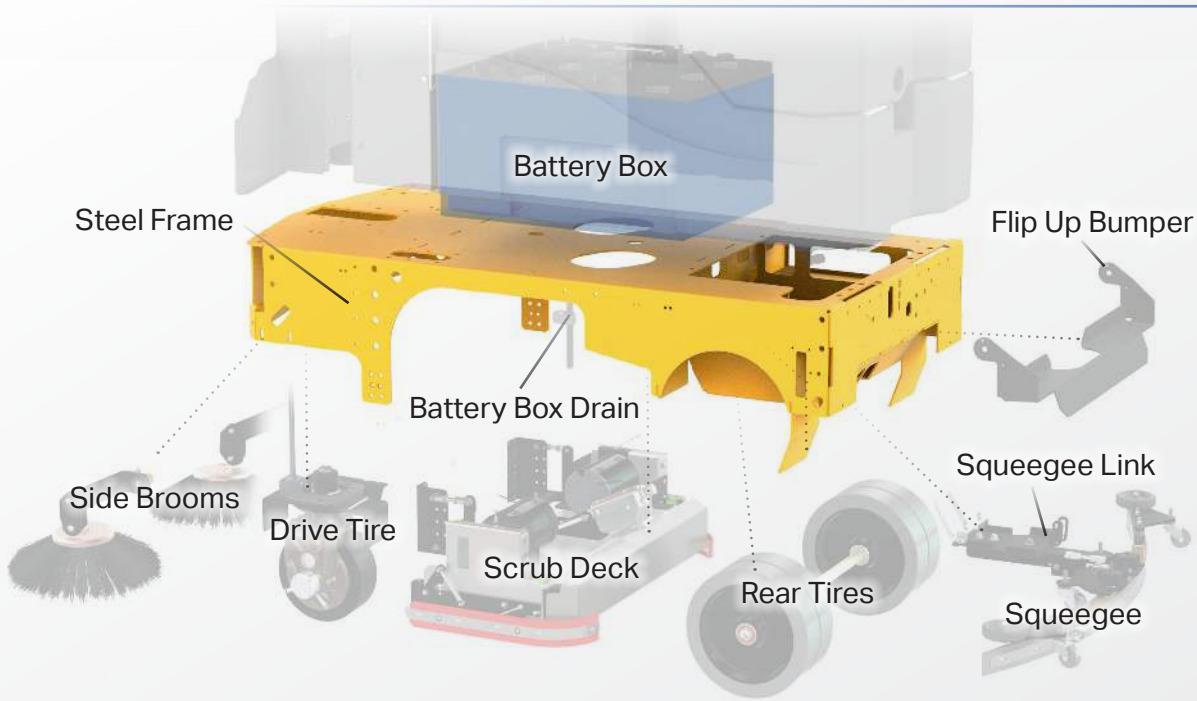


Large Clear Lid

Any customer who has previously owned and operated cleaning equipment will appreciate the value of full time viewing of the dirty water recovery tank.

- This provides the operator with a real time view of the dirty water level, foam, debris tray, the vacuum's white vac filter and more.
- The fully accessible recovery tank is perhaps our most significant feature for cost reduction. Open the lid to clean out the recovery tank, eliminating odors and other contaminants which can become airborne and inhaled by employees.

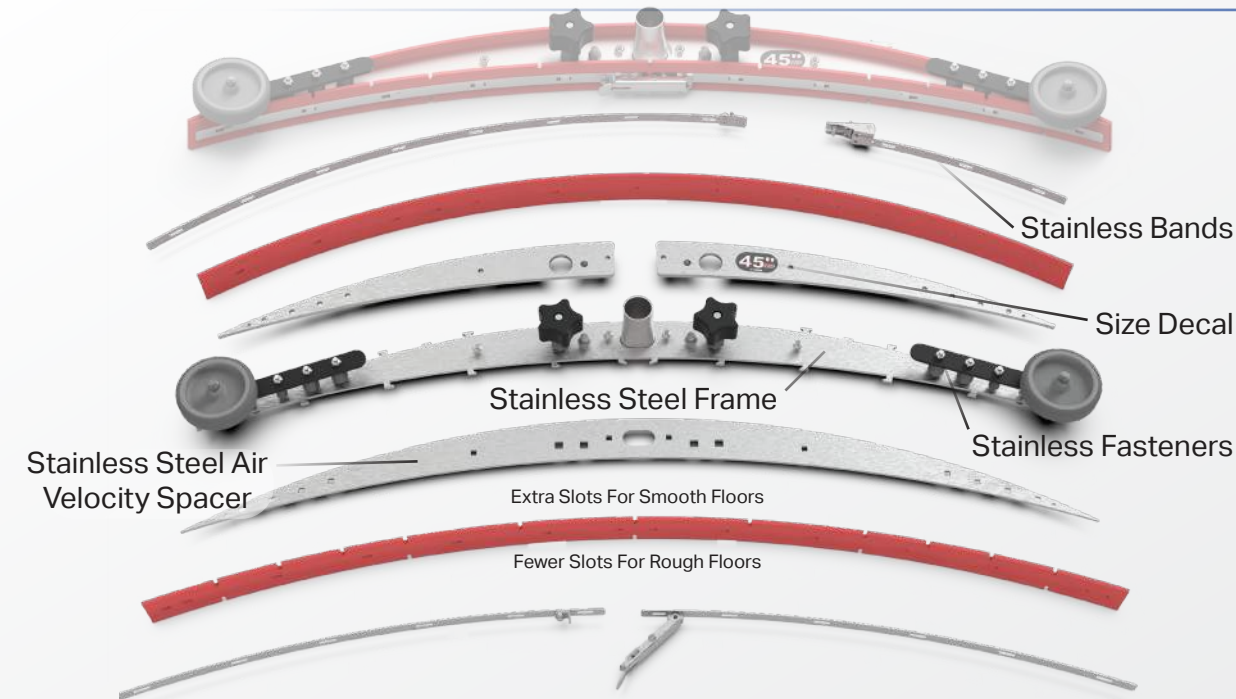
Steel Frame



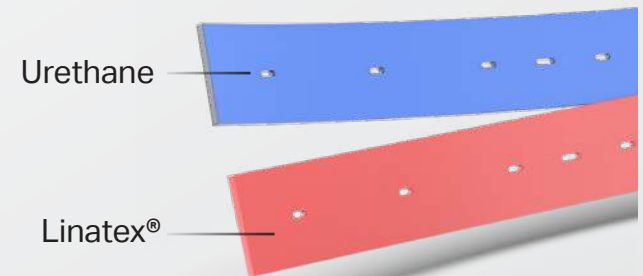
We spend the extra time and money to through-bolt with stainless fasteners for longevity and service ease in the future. Some of our larger rider scrubbers have 750-lbs in batteries in a full height poly liner, supported by the steel frame.

- All assemblies mount directly to the 7-ga (3/16" thick) steel frame, instead of plastic parts that will fatigue in time.
- Accidental damage to bumpers, decks, wheels, or over tensioning the frame during transport will not damage our tanks since we don't bolt collision points to the poly tank.

Stainless Squeegee



- Parts exposed to recovery water are stainless steel
- Locking latches front and rear
- Range of material for different applications
- Smooth and Rough floor hole patterns



You Be The Judge



Baffle System

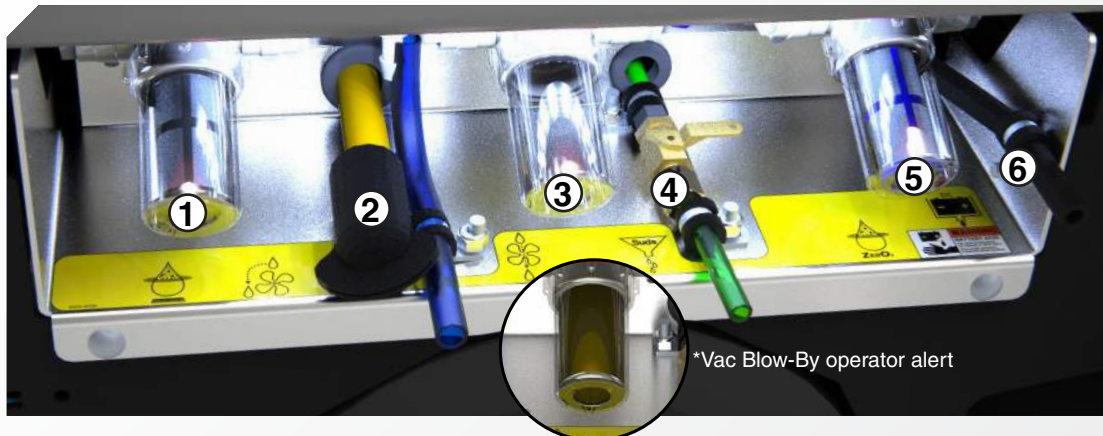
- The dirty water passes into our drain saver basket, and then fills up the rear side of the baffle such that the foam doesn't migrate to the front where the stainless screen and float ball operates.
- The stainless screen and white vacuum filter offer protection and ensure good airflow (squeegee performance).

Patented Vac Box System

- This invention earned a US Patent. The Yellow Vac Box is vacuumized and safely stores up to 1-gallon of foam or dirty water away from the vac motor's intake.
- Dirty water drains out of the Yellow Vac Box via Unloader Valve as soon as vacuum is turned OFF.
- The Blue Muffler Box reduces the noise and directs moisture out to the bowls, alerting the operator of a problem.



Patented Service Cabinet



- ① Solution Filter: Screen fresh water to scrub deck
- ② Unloader Valve: Auto drains dirty water protecting Vac
- ③ Vac Blow-By: Collects vac moisture to alert operator
- ④ Suds Valve: Drain soap from Suds Reservoir
- ⑤ ZERO3 Filter: Screen Aqueous Ozone solution
- ⑥ Battery Box Valve: Drain excess electrolyte safely



Education

Schools frequently value the maneuverability of our designs for those congested areas and small elevators. Both K through 12 and universities utilize the superior productivity from our large tank capacities and run time. Onboard ozone (ZER03) and our EDGE Orbital technology greatly reduce the use of chemicals and afford meaningful cost savings.



Healthcare

Low noise and optimized water control are key features our healthcare customers require. Our patented vacuum protection and muffler system allow for high performance motors to operate at unmatched levels. These scrubbers combine heavy duty cleaning and drying with noise levels suitable for facilities that operate around the clock.



Gymnasium

Our products are used extensively on wood, vct, rubber running tracks, concrete, artificial turf and other surfaces that are unique to athletics departments. The wide range of scrub head types and sizes, combined with the assortment of brushes and pads allow for the greatest flexibility.



Hotels - Hospitality

Food and guests services require a high level of cleaning and frequency. Equipment that can cut through heavy grease, navigate commercial kitchens and public lobbies alike. Hotel and resort casinos understand the cleaning equipment must be available to operate 24/7 and often perform housecleaning role in close proximity to customers.



Retail - Grocery

Many in this category are moving away from the cheap imported products to our American made equipment that affords them better cleaning performance and less downtime for repairs. Shopping malls, large retail box stores and grocery stores have high daily traffic and often need to clean up product spills promptly in the presence of customers. A quiet and quality cleaning machine sends a good message to the clients that the organization values sanitation.



Distribution - Warehouse

Our company "industrial equipment" origins result in the most durable equipment offered to the "commercial" sector. Warehouse and distribution centers utilize powerful material handling equipment and steel racking. The cleaning equipment needs to be built to pick up heavy soil, broken pallets, nails and also survive the inevitable collisions with fork trucks and racking.

Specifications



PRO v2 Series



CRZ v2 Series



EX v2 Series



HD v2 Series

BODY CONSTRUCTION / DIMENSIONS		BODY CONSTRUCTION / DIMENSIONS		BODY CONSTRUCTION / DIMENSIONS		BODY CONSTRUCTION / DIMENSIONS		
Chassis Construction:	1/8" Steel (3.1 mm) Powder Coated	3/16" Steel (4.8 mm) Powder Coated	3/16" Steel (4.8 mm) Powder Coated	3/16" Steel (4.8 mm) Powder Coated	3/16" Steel (4.8 mm) Powder Coated	3/16" Steel (4.8 mm) Powder Coated	3/16" Steel (4.8 mm) Powder Coated	
Front Wheels (Ø x Width)	8" x 3" (20 x 7 cm) - Solid Grey, Non-Marking	10" x 3" (25 x 7 cm) - Solid Black	12" x 4" (30 x 10 cm) - Solid Black	12" x 4" (30 x 10 cm) - Solid Black	12" x 4" (30 x 10 cm) - Solid Black	12" x 4" (30 x 10 cm) - Solid Black	12" x 4" (30 x 10 cm) - Solid Black	
Rear Wheels (Ø x Width)	(2x) 12" x 3" ((2x) 30 x 7 cm) - Solid Black	(2x) 12" x 3" ((2x) 30 x 7 cm) - Solid Black	(4x) 12" x 3" ((2x) 30 x 7 cm) - Solid Black	(4x) 12" x 3" ((2x) 30 x 7 cm) - Solid Black	(2x) 14" x 5" ((2x) 36 x 12 cm) - Solid Black	(2x) 14" x 5" ((2x) 36 x 12 cm) - Solid Black	(2x) 14" x 5" ((2x) 36 x 12 cm) - Solid Black	
Size (L x W x H):	53" x 31" x 57" (134 x 78 x 144 cm)	66" x 34" x 64" (167 x 86 x 162 cm)	70" x 37" x 57" (177 x 93 x 144 cm)	70" x 37" x 57" (177 x 93 x 144 cm)	77" x 43" x 59" (197 x 93 x 144 cm)	77" x 43" x 59" (197 x 93 x 144 cm)	77" x 43" x 59" (197 x 93 x 144 cm)	
Weight (w/o Batteries):	525 - 575 lbs (238 - 261 kg)	725 lbs - 850 lbs (328 - 385 kg)	790 lbs - 914 lbs (358 - 414 kg)	790 lbs - 914 lbs (358 - 414 kg)	1,200 lbs - 1,250 lbs (544 - 567 kg)	1,200 lbs - 1,250 lbs (544 - 567 kg)	1,200 lbs - 1,250 lbs (544 - 567 kg)	
Weight (w/ Batteries):	825 - 875 lbs (374 - 397 kg)	1,195 - 1,325 lbs (542 - 601 kg)	1,260 - 1,436 lbs (571 - 651 kg)	1,260 - 1,436 lbs (571 - 651 kg)	1,925 - 1,975 lbs (873 - 896 kg)	1,925 - 1,975 lbs (873 - 896 kg)	1,925 - 1,975 lbs (873 - 896 kg)	
DISK / PDA SYSTEM		DISK / PDA SYSTEM		DISK / PDA SYSTEM		DISK / PDA SYSTEM		
Disk Dimensions:	26" - (2x) 13" Ø (66 - [2x] 33 cm) 28" - (2x) 14" Ø (71 - [2x] 35 cm)	26" - (2x) 13" Ø (66 - [2x] 33 cm) 28" - (2x) 14" Ø (71 - [2x] 35 cm) 30" - (2x) 15" Ø (76 - [2x] 38 cm) 34" - (2x) 17" Ø (86 - [2x] 43 cm)	30" - (2x) 15" Ø (76 - [2x] 38 cm) 34" - (2x) 17" Ø (86 - [2x] 43 cm) 36" - (2x) 18" Ø (91 - [2x] 45 cm)	30" - (2x) 15" Ø (76 - [2x] 38 cm) 34" - (2x) 17" Ø (86 - [2x] 43 cm) 36" - (2x) 18" Ø (91 - [2x] 45 cm)	40" - (2x) 20" Ø (101 - [2x] 50 cm) 45" - (2x) 23" Ø (114 - [2x] 58 cm)	40" - (2x) 20" Ø (101 - [2x] 50 cm) 45" - (2x) 23" Ø (114 - [2x] 58 cm)	40" - (2x) 20" Ø (101 - [2x] 50 cm) 45" - (2x) 23" Ø (114 - [2x] 58 cm)	40" - (2x) 20" Ø (101 - [2x] 50 cm) 45" - (2x) 23" Ø (114 - [2x] 58 cm)
Disk Motor:	(2x) 0.75 hp ((2x) 551 watts)	(2x) 0.75 hp ((2x) 551 watts)	(2x) 1.5 hp ((2x) 1,103 watts)	(2x) 1.5 hp ((2x) 1,103 watts)	(2x) 1.5 hp ((2x) 1,103 watts)	(2x) 1.5 hp ((2x) 1,103 watts)	(2x) 1.5 hp ((2x) 1,103 watts)	
Disk Brush Speed:	270 rpm	270 rpm	350 rpm	350 rpm	350 rpm	350 rpm	350 rpm	
Optional Motor Upgrade:	NA	(2x) 1.5 hp 350 rpm ((2x) 1,103 watts)	N/A	N/A	N/A	N/A	N/A	
Cylindrical Dimensions:	25" - (2x) 6" Ø x 23" (64 - [2x] 15 x 58 cm) 29" - (2x) 6" Ø x 27" (73 - [2x] 15 x 68 cm)	25" - (2x) 6" Ø x 23" (63 - [2x] 15 x 58 cm) 29" - (2x) 6" Ø x 27" (73 - [2x] 15 x 68 cm) 33" - (2x) 6" Ø x 31" (83 - [2x] 15 x 78 cm)	29" - (2x) 6" Ø x 27" (73 - [2x] 15 x 68 cm) 33" - (2x) 6" Ø x 31" (83 - [2x] 15 x 78 cm) 37" - (2x) 6" Ø x 35" (94 - [2x] 15 x 89 cm)	29" - (2x) 6" Ø x 27" (73 - [2x] 15 x 68 cm) 33" - (2x) 6" Ø x 31" (83 - [2x] 15 x 78 cm) 37" - (2x) 6" Ø x 35" (94 - [2x] 15 x 89 cm)	29" - (2x) 6" Ø x 27" (73 - [2x] 15 x 68 cm) 33" - (2x) 6" Ø x 31" (83 - [2x] 15 x 78 cm) 37" - (2x) 6" Ø x 35" (94 - [2x] 15 x 89 cm)	40" - (2x) 7" Ø x 38" (101 - [2x] 18 x 81 cm) 46" - (2x) 7" Ø x 44" (116 - [2x] 18 x 112 cm)	40" - (2x) 7" Ø x 38" (101 - [2x] 18 x 81 cm) 46" - (2x) 7" Ø x 44" (116 - [2x] 18 x 112 cm)	40" - (2x) 7" Ø x 38" (101 - [2x] 18 x 81 cm) 46" - (2x) 7" Ø x 44" (116 - [2x] 18 x 112 cm)
Cylindrical Motor:	(2x) 0.75 hp ((2x) 551 watts)	(2x) 0.75 hp ((2x) 551 watts)	(2x) 1.5 hp 350 rpm v	(2x) 1.5 hp 350 rpm v	(2x) 1.5 hp 350 rpm ((2x) 1,103 watts)	(2x) 1.5 hp 350 rpm ((2x) 1,103 watts)	(2x) 1.5 hp 350 rpm ((2x) 1,103 watts)	
Cylindrical Brush Speed:	650 rpm Standard - 825 optional rpm	650 rpm Standard - 825 optional rpm	825 rpm	825 rpm	825 rpm	825 rpm	825 rpm	
EDGE Dimensions:	24" x 14" (60 x 35 cm) 28" x 14" (71 x 35 cm)	28" x 14" (71 x 35 cm) 32" x 14" (81 x 35 cm)	N/A	N/A	N/A	N/A	N/A	
EDGE Motor:	1.2 hp (882 watts) 2,500 rpm (68 kg) (227 kg)	1.2 hp (882 watts) 2,500 rpm (90 kg) (227 kg)	N/A	N/A	N/A	N/A	N/A	
			(102 kg) (227 kg)	(102 kg) (227 kg)	(113 kg) (227 kg)	(113 kg) (227 kg)	(113 kg) (227 kg)	
POWER SYSTEM		POWER SYSTEM		POWER SYSTEM		POWER SYSTEM		
System Voltage/Amps	36 VDC / 175 ah WET	36 VDC / 210 ah WET	36 VDC / 245 ah WET	36 VDC / 245 ah WET	36 VDC / 325 ah WET	36 VDC / 325 ah WET	36 VDC / 325 ah WET	
Optional Battery:	Up to 225 ah WET / 200 ah AGM*	Up to 360 ah WET / 335 ah AGM*	Up to 360 ah WET / 335 ah AGM*	Up to 360 ah WET / 335 ah AGM*	Up to 425 ah WET / 400 ah AGM*	Up to 425 ah WET / 400 ah AGM*	Up to 425 ah WET / 400 ah AGM*	
*Includes Onboard Charger								
Run Time:	Up to 3.5 Hours**	Up to 5.5 Hours**	Up to 5 Hours**	Up to 5 Hours**	Up to 5.0 Hours**	Up to 5.0 Hours**	Up to 5.0 Hours**	
**Based on continuous scrubbing run times.								
DRIVE SYSTEM		DRIVE SYSTEM		DRIVE SYSTEM		DRIVE SYSTEM		
Power:	0.75 hp - All Gear / Sealed (559 watts)	0.75 hp - All Gear / Sealed (559 watts)	1.0 hp - All Gear / Sealed (551 watts)	1.0 hp - All Gear / Sealed (551 watts)	1.0 hp - All Gear / Sealed (551 watts)	1.0 hp - All Gear / Sealed (551 watts)	1.0 hp - All Gear / Sealed (551 watts)	
Forward Speed:	0 - 320 ft/min / 0 - 3.6 mph (0 - 98 m/min / 0 - 6 km/h)	0 - 320 ft/min / 0 - 3.6 mph (0 - 98 m/min / 0 - 6 km/h)	0 - 320 ft/min / 0 - 3.6 mph (0 - 98 m/min / 0 - 6 km/h)	0 - 320 ft/min / 0 - 3.6 mph (0 - 98 m/min / 0 - 6 km/h)	0 - 320 ft/min / 0 - 3.6 mph (0 - 98 m/min / 0 - 6 km/h)	0 - 320 ft/min / 0 - 3.6 mph (0 - 98 m/min / 0 - 6 km/h)	0 - 320 ft/min / 0 - 3.6 mph (0 - 98 m/min / 0 - 6 km/h)	
Scrubbing Speed:	0 - 256 ft/min / 0 - 2.9 mph (0 - 78 m/min / 0 - 5 km/h)	0 - 256 ft/min / 0 - 2.9 mph (0 - 78 m/min / 0 - 5 km/h)	0 - 256 ft/min / 0 - 2.9 mph (0 - 78 m/min / 0 - 5 km/h)	0 - 256 ft/min / 0 - 2.9 mph (0 - 78 m/min / 0 - 5 km/h)	0 - 256 ft/min / 0 - 2.9 mph (0 - 78 m/min / 0 - 5 km/h)	0 - 256 ft/min / 0 - 2.9 mph (0 - 78 m/min / 0 - 5 km/h)	0 - 256 ft/min / 0 - 2.9 mph (0 - 78 m/min / 0 - 5 km/h)	
Reverse Speed:	0 - 230 ft/min / 0 - 2.6 mph (0 - 70 m/min / 0 - 4 km/h)	0 - 230 ft/min / 0 - 2.6 mph (0 - 70 m/min / 0 - 4 km/h)	0 - 230 ft/min / 0 - 2.6 mph (0 - 70 m/min / 0 - 4 km/h)	0 - 230 ft/min / 0 - 2.6 mph (0 - 70 m/min / 0 - 4 km/h)	0 - 230 ft/min / 0 - 2.6 mph (0 - 70 m/min / 0 - 4 km/h)	0 - 230 ft/min / 0 - 2.6 mph (0 - 70 m/min / 0 - 4 km/h)	0 - 230 ft/min / 0 - 2.6 mph (0 - 70 m/min / 0 - 4 km/h)	
SOLUTION / RECOVERY SYSTEMS		SOLUTION / RECOVERY SYSTEMS		SOLUTION / RECOVERY SYSTEMS		SOLUTION / RECOVERY SYSTEMS		
Solution Tank Capacity:	22 Gallons (83 liters) - w/ Graduated Site Tube	33 Gallons (125 liters) - w/ Graduated Site Tube	46 Gallons (174 liters) - w/ Graduated Site Tube	46 Gallons (174 liters) - w/ Graduated Site Tube	65 Gallons (246 liters) - w/ Graduated Site Tube	65 Gallons (246 liters) - w/ Graduated Site Tube	65 Gallons (246 liters) - w/ Graduated Site Tube	
Recovery Flow / Filter:	0 - 0.5 GPM / Stainless Inline (0 - 2 LPM)	0 - 0.7 GPM / Stainless Inline (0 - 2 LPM)	0 - 0.7 GPM / Stainless Inline (0 - 2 LPM)	0 - 0.7 GPM / Stainless Inline (0 - 2 LPM)	0 - 1.0 GPM / Stainless Inline (0 - 3.7 LPM)	0 - 1.0 GPM / Stainless Inline (0 - 3.7 LPM)	0 - 1.0 GPM / Stainless Inline (0 - 3.7 LPM)	
Solution Tank Capacity:	23 Gallons (87 liters) - 1.5" Ø Drain Hose	36 Gallons (136 liters) - 1.5" Ø Drain Hose	49 Gallons (185 liters) - 1.5" Ø Drain Hose	49 Gallons (185 liters) - 1.5" Ø Drain Hose	78 Gallons (295 liters) - 2" Ø Drain Hose	78 Gallons (295 liters) - 2" Ø Drain Hose	78 Gallons (295 liters) - 2" Ø Drain Hose	
Demisting Chamber:	1.25 Gallons (4.7 liters)	1.25 Gallons (4.7 liters)	1.25 Gallons (4.7 liters)	1.25 Gallons (4.7 liters)	1.25 Gallons (4.7 liters)	1.25 Gallons (4.7 liters)	1.25 Gallons (4.7 liters)	
Drain Saver:	130 cubic inches (2,130 cubic cm)	130 cubic inches (2,130 cubic cm)	130 cubic inches (2,130 cubic cm)	130 cubic inches (2,130 cubic cm)	130 cubic inches (2,130 cubic cm)	130 cubic inches (2,130 cubic cm)	130 cubic inches (2,130 cubic cm)	
Vacuum Power	1.0 hp / 2 Stage / 6.6" Ø (551 watts)	1.0 hp / 2 Stage / 6.6" Ø (551 watts)	1.0 hp / 2 Stage / 6.6" Ø (551 watts)	1.0 hp / 2 Stage / 6.6" Ø (551 watts)	(2x) 1.0 hp / 2 Stage / 6.6" Ø (551 watts)	(2x) 1.0 hp / 2 Stage / 6.6" Ø (551 watts)	(2x) 1.0 hp / 2 Stage / 6.6" Ø (551 watts)	
Water Lift / Airflow:	73" / 96 cfm (185 cm / 2.7 cm/m)	73" / 96 cfm (185 cm / 2.7 cm/m)	73" / 96 cfm (185 cm / 2.7 cm/m)	73" / 96 cfm (185 cm / 2.7 cm/m)	73" / 180 cfm (178 cm / 4 cm/m)	73" / 180 cfm (178 cm / 4 cm/m)	73" / 180 cfm (178 cm / 4 cm/m)	
GENERAL		GENERAL		GENERAL		GENERAL		
Productivity - Theoretical:	Up to 40,000 sqft/hr (3,716 sqm)***	Up to 47,000 sqft/hr (4,366 sqm)***	Up to 51,000 sqft/hr (4,738 sqm)***	Up to 51,000 sqft/hr (4,738 sqm)***	Up to 63,000 sqft/hr (5,852 sqm)***	Up to 63,000 sqft/hr (5,852 sqm)***	Up to 63,000 sqft/hr (5,852 sqm)***	
***Based off of ISSA 2010 Cleaning Times								
Productivity - Practical:	Up to 18,518 sqft/hr (1,720 sqm)***	Up to 21,661 sqft/hr (2,012 sqm)***	Up to 23,627 sqft/hr (2,195 sqm)***	Up to 23,627 sqft/hr (2,195 sqm)***	Up to 29,374 sqft/hr (2,728 sqm)***	Up to 29,374 sqft/hr (2,728 sqm)***	Up to 29,374 sqft/hr (2,728 sqm)***	
***Based off of ISSA 2010 Cleaning Times								

Our Family's American Dream

RPS has been family owned from its inception in 1986, and proudly builds in Wisconsin (USA). The company has grown over the last 35-years with a strong group of executives including the 2nd generation of family owners who started in the shop as youngsters.

Authorized Distributor



Assembled By Hand

Our American workforce hand builds each machine with components sourced over 95% from American suppliers. We routinely pay more for these domestically supplied components required to build a superior product. All design, prototyping, production and testing is done in-house where we can best control quality.



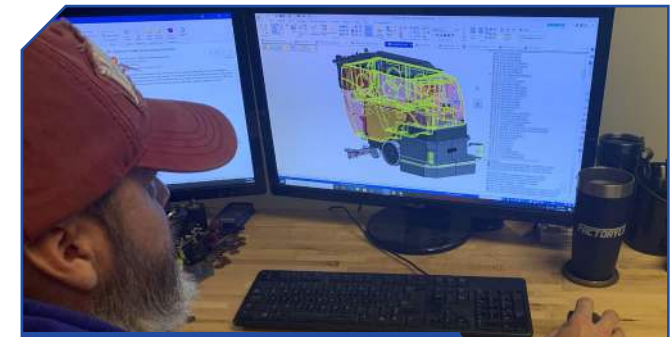
Steel Fabrication

We produce heavy duty equipment and require a good amount of thick steel in the construction. We use a combination of Stainless 304 (Austenitic 18/8) and mild steel with e-coating + powder paint for corrosion resistance. Steel fabrication is done in-house or from local suppliers with specialty equipment.



Rotational Molding

Complex shapes that allow for our "tank-in-tank" design are best achieved with in-house equipment. We own multiple dual station rotational molding machines that allow us to produce finished parts from raw plastic. Producing consistently higher quality parts, and respond quickly to sales spikes.



Product Design

Our team has designed and engineered over 100 unique machines. Each new generation of machines evolve from prior designs to retain the strengths and correct any weakness. From the first pencil sketch we focus on durability, serviceability, performance, productivity, specifications, and value.